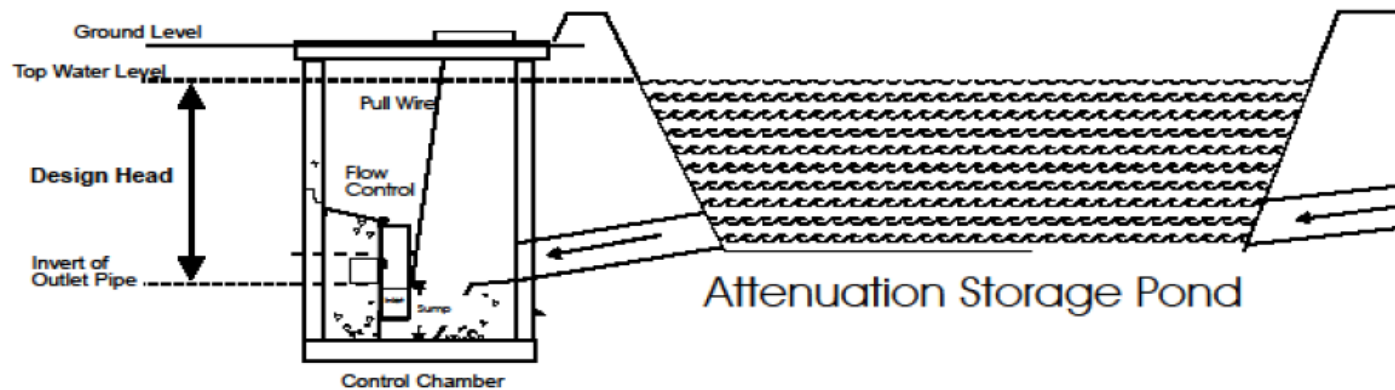
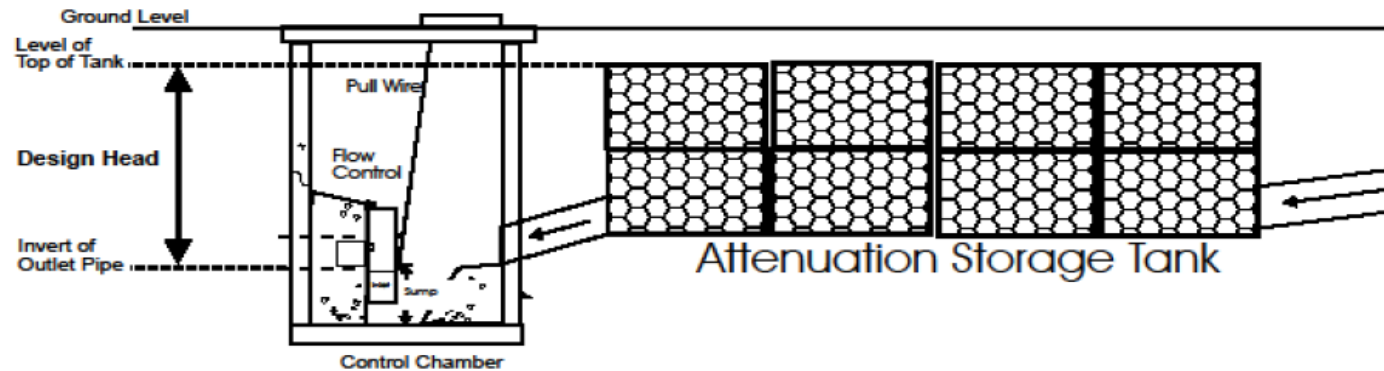


Guide to Establishing the Design Head with an attenuation storage system Tanks/Crates or Ponds

Design Head = Top Water Level - Invert of Outlet Pipe



Crown Water Ltd
Index House
Ascot SL5 7ET
Tel 01344 886996 Fax 01344 885986
sales@crownwater.com
Registration Number 09514593